

VA200 - Video Conferencing Room Solution

VA200 is a perfect conference solution that combines audio and video. It applies advanced ISP processing algorithms to provide vivid images with a strong sense of depth, high resolution, and fantastic color rendition. The audio adopts the international advanced new-generation high-definition voice processing technology with clear and smooth sound quality and strong environmental adaptability. It can provide participants with smooth and natural audiovisual effects whenever and wherever, and provide comfortable and immersive experience for teleconferencing and other applications.




Key Features

- 1/2.8 inch high quality CMOS sensor. Resolution is up to 1920x1080.
- 5x zoom lens, with 83.7° wide view angle without distortion.
- Leading auto focus algorithm makes lens a fast, accurate and stable auto-focusing.
- Low Noise CMOS effectively ensure high SNR of camera video. Advanced 2D/3D noise reduction technology is also used


to further reduce the noise, while ensuring image sharpness.


- Adopting high accuracy step motor and motor driving controller to make extremely quiet and smooth rotation .
- Support MJPG/H.265/H.264 video compression
- Support AEC(Acoustic Echo Cancellation), AGC(Automatic Gain Control),NC(Bidirectional noise compression), Automatic Direction finding Technology of Intelligent microphone(EMI), Zero damage compression in vocal full frequency domain
- Built-in 4 single-point microphones, composed of 360-degree omni-directional audio-pickup, 6m sound-pickup diameter, external microphone is available, up to 10m sound-pickup diameter .
- USB plug-and-play, supports various online conference software platforms such as WeChat, Skype for Business, Zoom, Vido, etc.
- Support Windows, Android, IOS and Linux
- Support Bluetooth connection and hands-free conference calls on mobile phones.
- Speaker volume reaches 95dB, digital adjustment for 16 levels speaker volume.
- Built-in infrared receivers. The IR remote controller is available for every corner of the conferencing site.
- Built-in Up/Down, Left/Right, Answer, Hang up, Bluetooth, Presets, and other keys
- Centralized connecting with the centralized controller VA200-H, the wiring is simpler and nicer.
- Easy to use, install and maintain.

Technical specifications

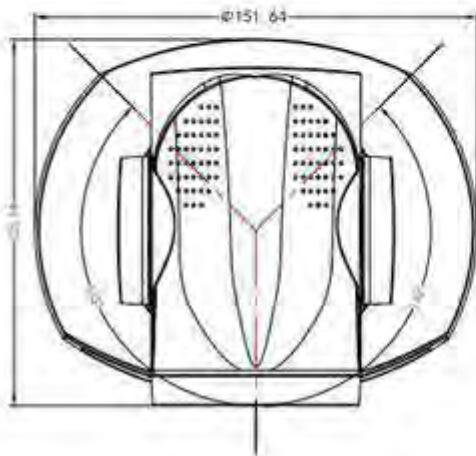
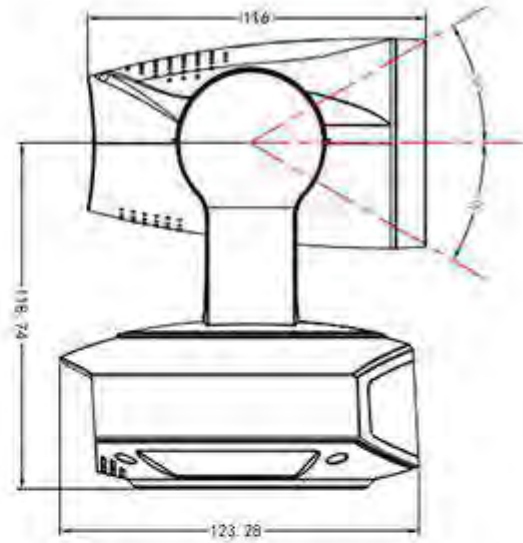
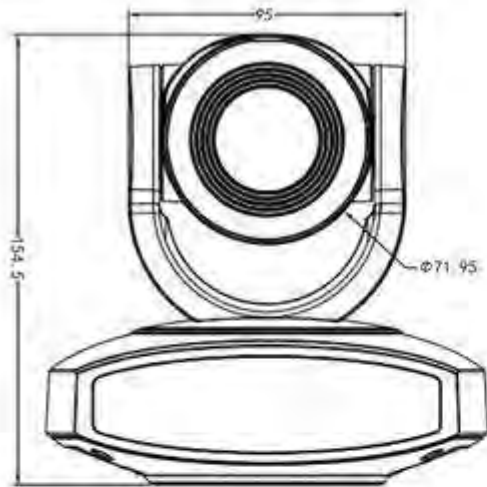
Spec/Model NO.	VA200-V
Product Picture	
Sensor	1/2.8 inch high quality HD CMOS sensor
Effective Pixels	2.07M, 16: 9
Video Format	176x144/320x240/320x180/352x288/640x480/720x480/720x576/ 640x360/800X600/960X540/1024X576/1024X768/1280X720/ 1920X1080P30/25/20/15/10/5
Optical zoom lens	5X Optical zoom, f=3.1~15.5mm / 10X Optical Zoom f=4.7~47mm
View angle	20° (tele) 83.7° (wide) / 6.43° (Tele) 60.9° (Wide)
Aperture value	F1.8 – F2.8 / F1.6 – F3.0
Digital Zoom	X10
Minimum Illumination	0.5Lux(F1.8, AGC ON)
DNR	2D & 3D DNR

White Balance	Auto / Manual/ One Push/ 3000K/3500K/4000K/4500K/5000K/5500K/6000K/6500K/7000K
Focus	Auto/Manual/One Push
Aperture/Electronic Shutter	Auto/Manual
BLC	ON/OFF
WDR	OFF/ Dynamic level adjustment
Video Adjustment	Brightness, Color, Saturation, Contrast, Sharpness, B/W mode, Gamma curve
SNR	>55dB
Rotation angle	Pan: -125°~+125°, Tilt:-30°~+30°
Control speed	Pan: 0.1 ~65°/sec, Tilt:0.1~35°/sec
Preset speed	Pan: 65°/sec, Tilt: 35°/sec
Dimension	151.64mm×131.25mm×154.5mm (L×W×H)

Spec/Model NO.	VA200-A
Product Picture	
Voice technical parameters	Acoustic Echo cancellation (AEC) : >65dB Echo length cancellation: ≥400ms Bidirectional noise compression (NC) : <25dB Automatic Direction finding Technology of Intelligent microphone (EMI) Automatic gain control (AGC)
Audio parameters	Microphone frequency response: 100Hz-22KHz Speaker frequency response: 100Hz-22KHz Speaker volume: 95dB at the most Microphone sound-pickup diameter: 6 meters, 360 degrees full range
Bluetooth	Bluetooth devices available
IR Reception	Angle: 360° Distance: 10m IR Transparent transmission available
External Mic (optional)	2 external microphones can be connected, making the sound-pickup diameter up to 10 meters
Dimension	200mm×200mm×55.9mm(L×W×H)
Spec/Model NO.	VA200-H

Product Picture	
Interface	Mini DIN6 ×2 Power interface×1 Power switch×1 Mini USB interface×1
Power supply	EC3800 plug(DC12V) Adapter input AC110V-AC220V,output DC12V/1.5A
Data line	Mini DIN6 data line ×2 Length: 5m (10m/15m for options)
USB cable	USB2.0 cable
Compatibility	Support Windows, Andriod, iOS and Linux Drive-free automatic recognition of cameras, microphones and speakers Compatible with Zoom, Lynch, Vidy, etc.
Dimension	120mm×74mm×34.5mm(L×W×H)
Accessories	Power adapter, USB2.0 cable, Remote controller, two DIN6 connection cables, user manual,

Dimension(unit:mm)



1/4-20UNC Tripod hole
Depth 6.5mm

