

## UV520 series HD Video Conference Camera

Full HD, Wide View Angle, Multiple Video Interfaces. Multiple Protocols, Multiple Lens  
This UV520 Series HD Video Conference Camera has perfect functions, superior performance and rich video output interfaces; Featuring with advanced ISP processing algorithms, offering vivid and high resolution video with a strong sense of depth and fantastic color rendition. It supports H.264/H.265 encoding which makes motion video more fluent and clear under low bandwidth conditions.

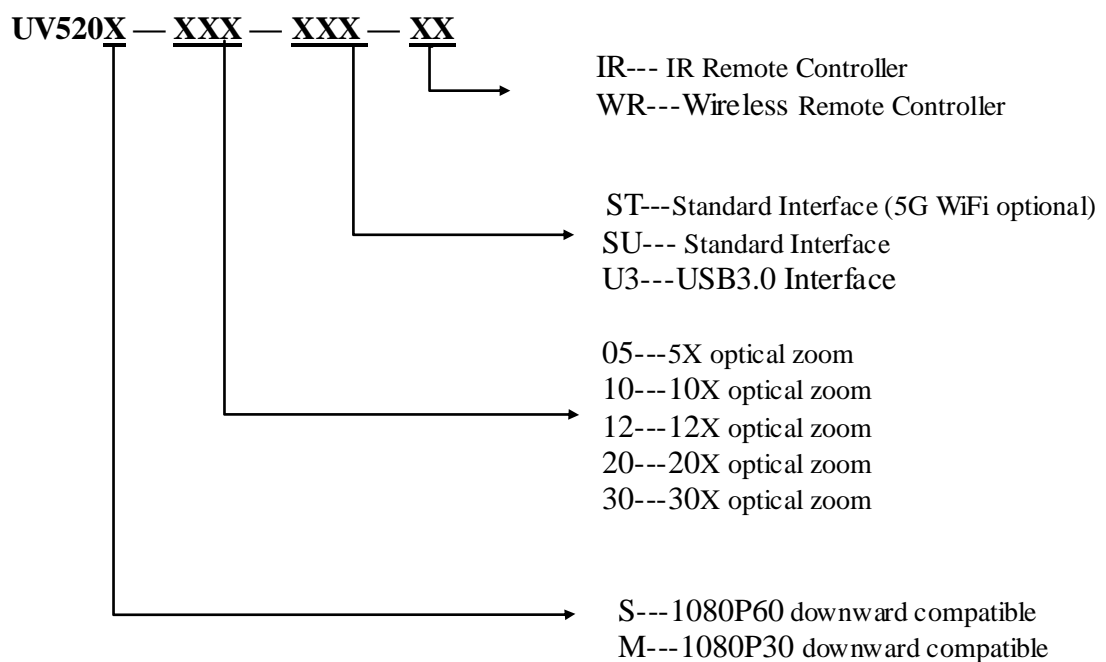


### Key Features

- **Full HD Resolution:** 1/2.8 inch high quality CMOS sensor. Resolution is up to 1920x1080 with frame rate up to 60fps.
  - **Multiple Optical Zoom Lens:** 5X/10X/12X/20X/30X optical zoom lens. The 5X zoom camera is with 83.7 °FOV without distortion.
  - **Leading Auto Focus Technology:** Fast, accurate and stable auto focusing technology.
  - **Low Noise and High SNR:** Super high SNR image is achieved with low noise CMOS. Advanced 2D/3D noise reduction technology further reduces the noise while ensuring high image clarity.
- Multiple Video Output Interfaces:** HDMI, SDI, CVBS, LAN, UAB3.0, WiFi (optional), both video and audio can be output from HDMI, SDI, LAN at the same time. The transmission distance of SDI under 1080p60 is 100 meters.
- **Multiple Video Compression Standards:** Support H.264/H.265 video compression.
  - **Audio Input Interface:** Support AAC, MP3 and G.711A audio compression, 8000, 16000, 32000, 44100, 48000 sampling frequency.
  - **Video / Audio Record and Store:** USB2.0 interface supports U disk storage (U disk storage only supports FAT32 format), real-time record and store.
  - **Multiple Network Protocol:** Support ONVIF, GB/T28181, RTSP, RTMP protocols; Support RTMP push mode, easy to be connected to streaming server (Wowza, FMS); Support RTP multicast mode; Support network full command VISCA control protocol.

- **Control Interface:** RS422 input(compatible with RS485), RS232-IN, RS2323-OUT, RS232 (cascade connection)
- **Multiple Control Protocol:** Support VISCA, PELCO-D, PELCO-P protocols; Support automatic identification protocols.
- **Quiet Pan / Tilt Movement:** With high accuracy step driving motor, camera can pan / tilt extremely quiet and smooth.
- **IR / Wireless Remote Control:** Users can choose IR remote control or wireless remote control according to different conditions. 2.4G wireless remote control is not affected by the angle, distance or infrared interference. Far-end-control is also available.
- **Multiple Presets:** Up to 255 presets (10 presets via remote control).
- **Multiple Application:** Online-education, Lecture Capture, Webcasting, Video conferencing, Tele-medicine, Unified Communication, Emergency command and control systems, etc.

## Order No.



## Technical Specifications

Camera Parameter					
Model	UV520-05	UV520-10	UV520-12	UV520-20	UV520-30
Focal Range	3.1~15.5mm	4.7~47mm	3.9~46.8mm	5.5~110mm	4.3~129mm
View Angle	20 °(tele) 83.7 °(wide)	6.43 ° (tele) 60.9 ° (wide)	6.3 °(tele) 72.5 °(wide)	3.3 °(tele) 54.7 °(wide)	2.34 °(tele) 65.1 °(wide)

AV	F1.8~ F2.8	F1.6 – F3.0	F1.8~ F2.4	F1.6 ~ F3.5	F1.6 ~ F4.7
Effective Pixels	16: 9, 2.07 megapixel, 1/2.8 inch high quality HD CMOS sensor				
Video Format	HDMI/SDI Output: 1080P60,1080P50,1080I60,1080I50,1080P30,1080P25,720P60,720P50; CVBS Output: 576i 480i USB3.0 Ouput: Maximum support 1080@60				
Digital Zoom	10X				
Minimum Illumination	0.5Lux(F1.8, AGC ON)				
DNR	2D & 3D DNR				
White Balance	Auto /Manual/ One Push/ Specify color temperature (2400K-7100K, step size is 100)				
Focus	Auto/Manual/One Push Focus				
Exposure Mode	Auto/Manual/Shutter priority/Aperture priority/brightness priority				
Aperture	F1.8 ~ F11,CLOSE				
Shutter Speed	1/25~1/10000				
BLC	ON/OFF				
DRC	OFF/ Dynamic level adjustment				
Video Adjustment	Brightness, Color, Saturation, Contrast, Sharpness, B/W mode, Gamma curve				
SNR	≥50dB				

Input/Output Interface	
Video Interfaces	UV520-ST Model: HDMI,SDI,LAN(POE), CVBS,RS232-IN,RS232-OUT,RS422 compatible with RS485,A-IN,USB2.0(U disk storage), Rotary DIP switch, DC12V Power Supply, Power switch UV520-SU Model: HDMI,SDI,LAN (POE) ,USB3.0,RS232-IN,RS232-OUT,RS422 compatible with RS485,A-IN,Rotary DIP switch, DC12V Power Supply, Power switch UV520-U3 Model: HDMI,USB3.0,LAN (POE) ,RS232-IN,RS232-OUT,RS422 compatible with RS485,A-IN, Rotary DIP switch, DC12V Power Supply, Power switch
Video Output	HDMI,SDI,USB3.0,LAN,WiFi(Optional),CVBS
Video encoding format	H.265,H.264
Audio Input Interface	Double track 3.5mm linear input
AudioOutput Interface	HDMI,SDI,USB3.0,LAN,WiFi(Optional)
Audio Compression Format	AAC,MP3,G.711A
Network Interface	100M IP Port (10/100BASE-TX)
Network Protocol	RTSP,RTMP,ONVIF,GB/T28181; Network VISCA control protocol; Support remote upgrade, reboot and reset
Control Interface	RS232-IN,RS232-OUT,RS422 compatible with RS485
Control Protocol	VISCA/Pelco-D/Pelco-P; Baud Rate:115200/38400/9600/4800/2400
Power Interface	HEC3800 outlet (DC12V)
Power Adapter	Input AC110V-AC220V; Output DC12V/1.5A
Input Voltage	DC12V±10%
Input Current	<1A

Power Consumption	<12W
-------------------	------

PTZ Parameter	
Pan Rotation	-170 ° ~ +170 °
Tilt Rotation	-30 ° ~ +30 °
Pan Control Speed	0.1 %s ~ 60 %s
Tilt Control Speed	0.1 %s ~ 30 %s
Preset Speed	Pan: 60 %s, Tilt: 30 %s
Preset Number	255 presets (10 presets by remote controller)

Other Parameter	
Stored Temperature	-10 °C ~ +60 °C
Storage Humidity	20% ~ 95%
Working Temperature	-10 °C ~ +50 °C
Working Humidity	20% ~ 80%
Dimension(L*W*H)	140mm×155mm×173mm
Weight	1.15kg
Application	Indoor

Accessory	
Package	Power Supply, RS232 control cable, USB3.0 connection cable, 3.5MM to RCA cable Remote Control, User Manual
Optional Accessories	Ceiling / Wall Mount (Extra Cost)

## Dimension (unit: mm)

